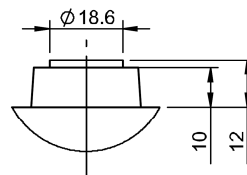
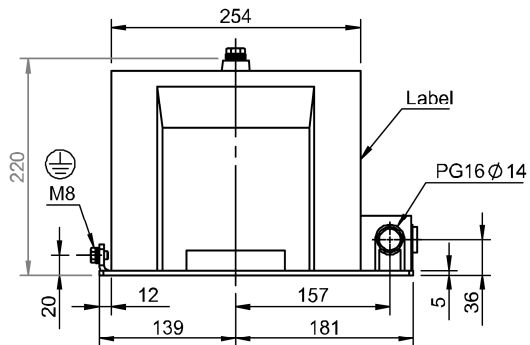


VT(3,6 ÷ 17,5)-1

Weight: ≤ 24 kg



DETAIL A
SCALE 1 : 2

