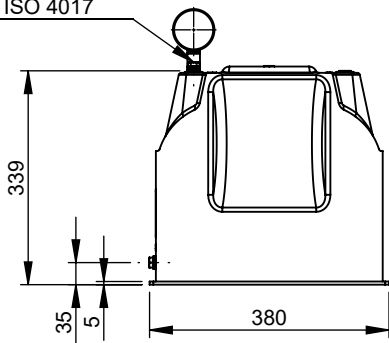


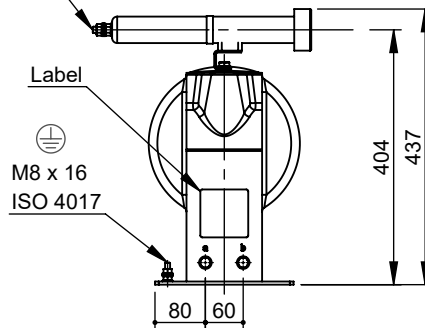
FT24-1.25F  
Weight: ≤ 62 kg

Primary fuse connection  
M10 x 20 ISO 4017



Primary connection  
M10

Label  
M8 x 16  
ISO 4017



Secondary connection  
2 x M10 x 20  
ISO 4017

