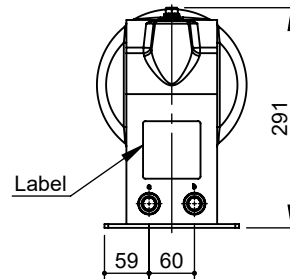
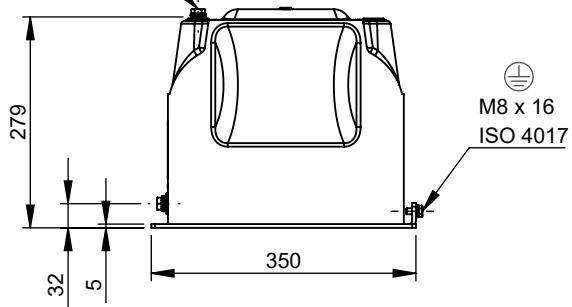


FT24-1.15N
Weight: ≤ 40 kg

Primary fuse connection
1 x M10 x 20 ISO 4017



Secondary connection
2 x M10 x 20
ISO 4017

