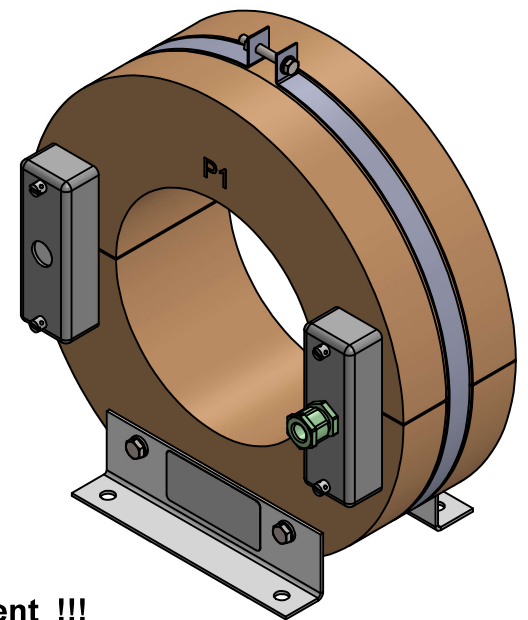


Permissible tightening torques:
 M 4 = 0,7 ... 0,9 Nm
 M 5 = 2,7 ... 3,0 Nm




For indoor use !!!
Or outside, but in the protected environment !!!

NECOM
 www.necom.ro
CTS.150.280.084 250 / 5 A 50 Hz
 P1 - P2 250 A - 1 Turn
 S1 - S2 5 A 2 VA cl. 0,5 FS10 IP 40
 Ith/Idyn: 25/63 kA, 1 s. 0,72 / 3 / - kV class E
 Made in Romania
IEC 61869-2 S.n. 00000 / 2018

Product working temperature:
 -25 ... +45 °C

	Name	Signature	Date
Designed	Neculai Lazar		22.04.2019
Drawn	Daniel Mindru		
Checked	Iulian Moraru		
Approved	Valentin Popa		
Q. A.	Cristian Cojocaru		

First angle projection:

 The dimension are in millimeters
 Tolerances per DIN ISO 2768 m-K
 Material :
 Weight :
 app. 12 kg

NECOM ®		165, Soseaua Nicolina 700 714 Iasi Romania Tel./ Fax 0040 232 412 111 necom@necom.ro www.necom.ro	
Project name :		Split core current instrument transformer	
Drawing name :		250.5 A 2 VA cl. 0,5 FS10 0,72.3 kV	
Scale 1:5	Sheet 1 of 1	Revision F	

PROPRIETARY AND CONFIDENTIAL
 The information contained in this drawing is the sole property of "NECOM".
 Any reproduction in part or as a whole without the written permission of "NECOM" is prohibited.

A4